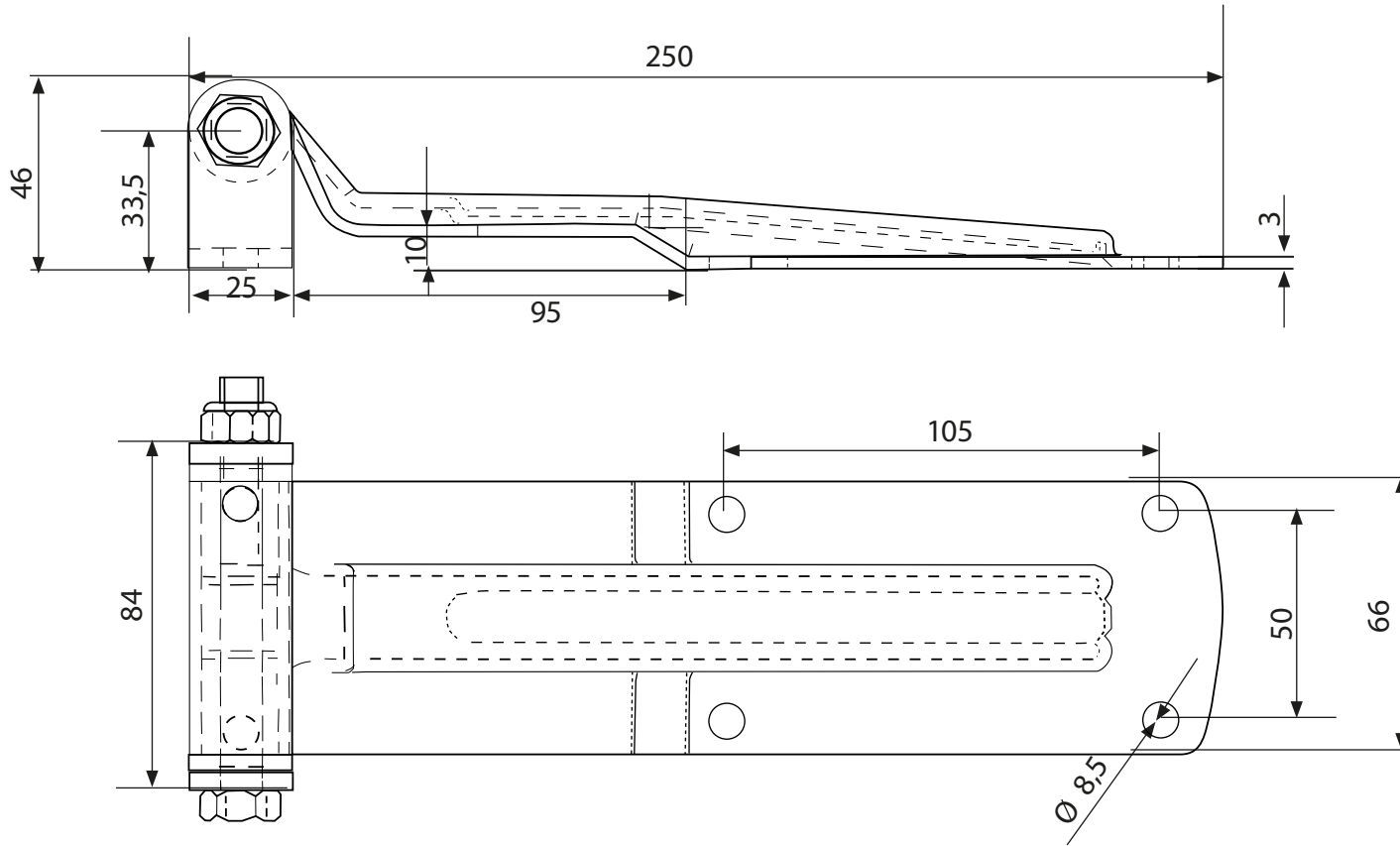


TECHNICAL DRAWING / DESSIN TECHNIQUE



JIMEXS
HARDWARE

1 866 447-5656 / INFO@JIMEXS.COM

WWW.JIMEXS-HARDWARE.COM

202-321

Hinge
Penture

2021-09-22

PROJECTIONS



DIMENSIONS

250 mm