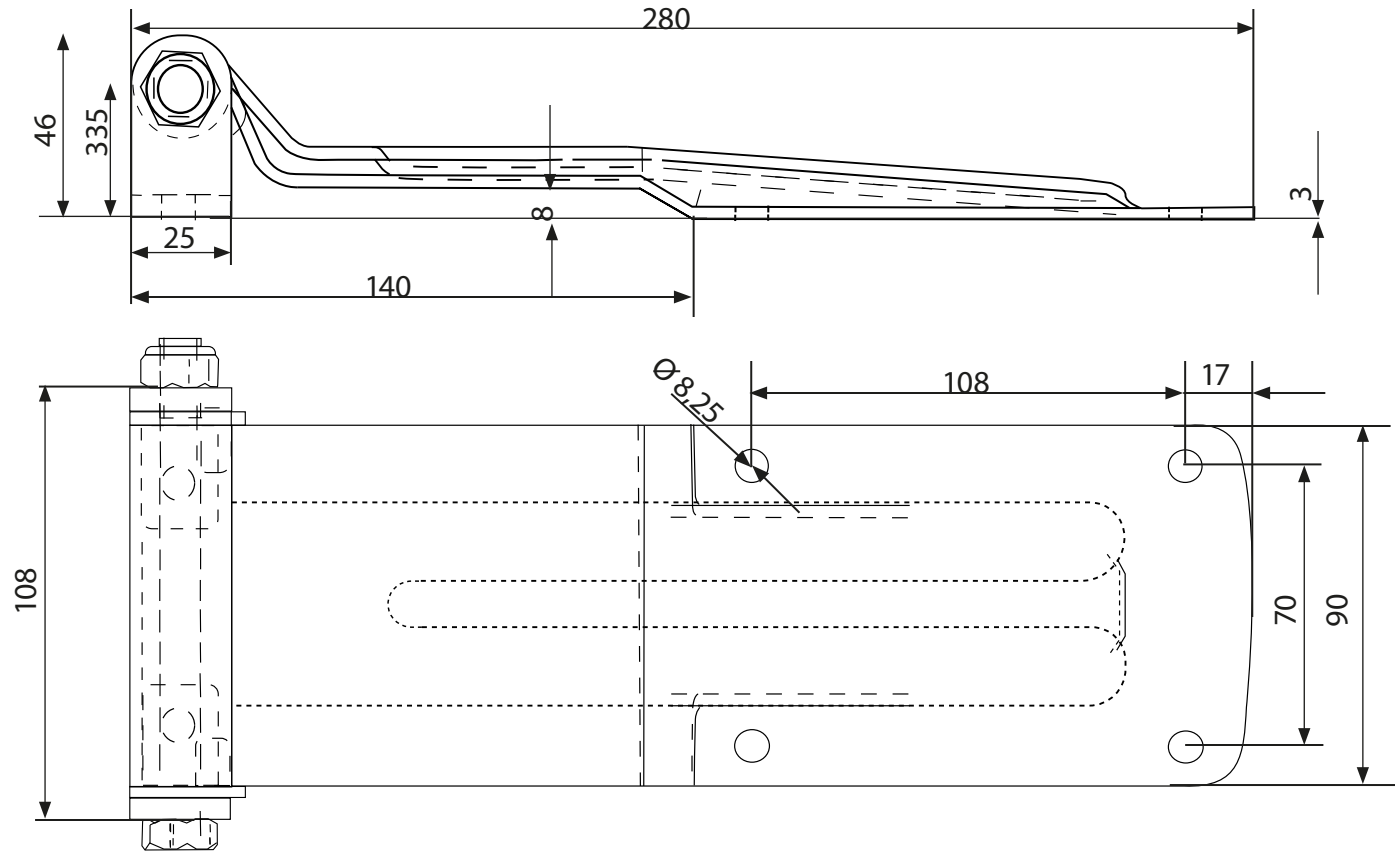


# TECHNICAL DRAWING / DESSIN TECHNIQUE



**JIMEXS**  
**HARDWARE**

1 866 447-5656 / INFO@JIMEXS.COM

WWW.JIMEXS-HARDWARE.COM

202-331

Hinge  
 Penture

2021-09-21

PROJECTIONS



DIMENSIONS

280 mm x 108 mm

MATERIAL/MATÉRIEL

Stainless Steel/  
 Acier Inoxydable