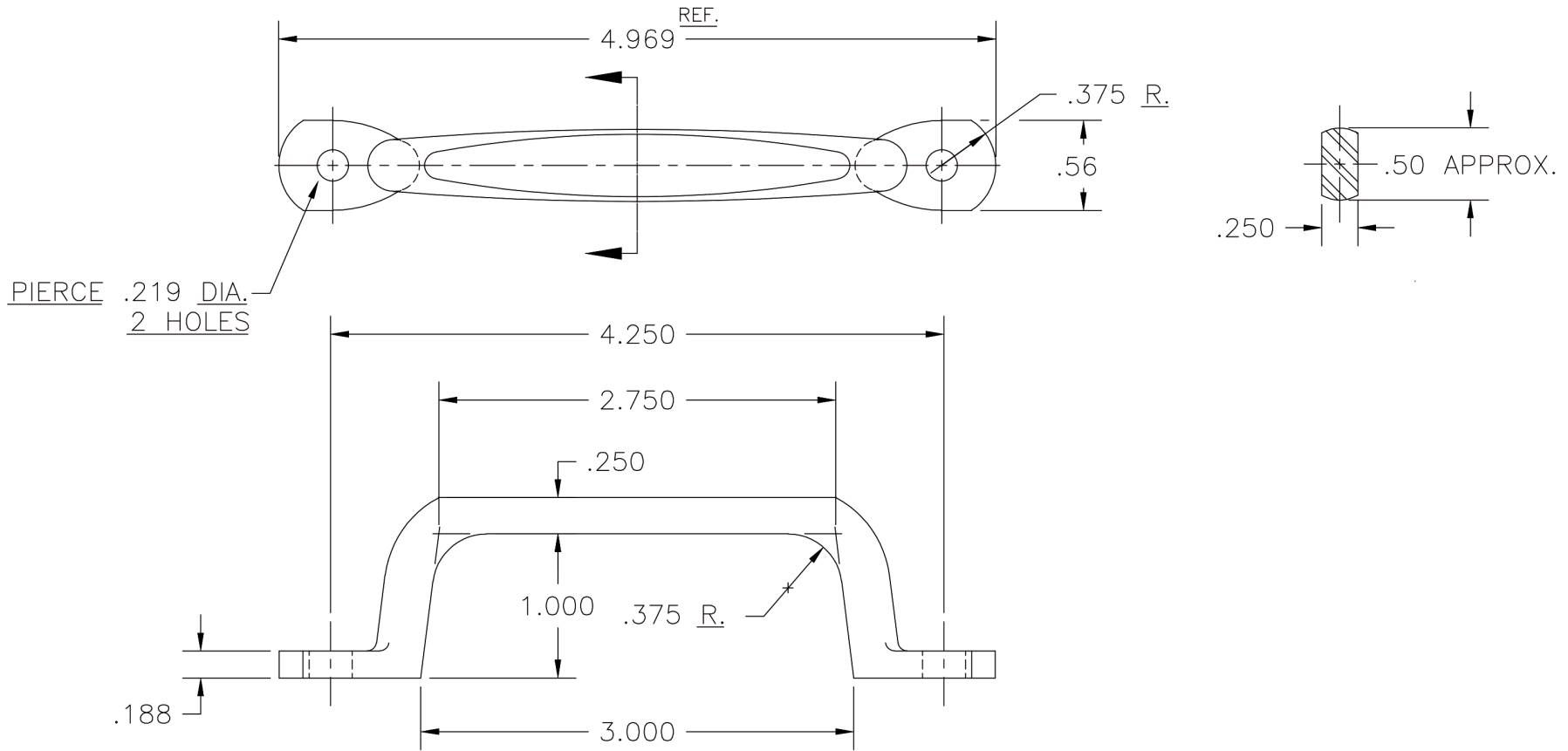


# TECHNICAL DRAWING / DESSIN TECHNIQUE



**JIMEXS**  
**HARDWARE**

1 866 447-5656 / INFO@JIMEXS.COM

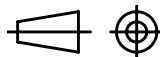
WWW.JIMEXS-HARDWARE.COM

221-461

Grab handle  
Poignée montoire

2021-09-22

PROJECTIONS



DIMENSIONS 4.22" CC

MATERIAL/MATÉRIEL Zinc plated steel / Acier plaqué zinc