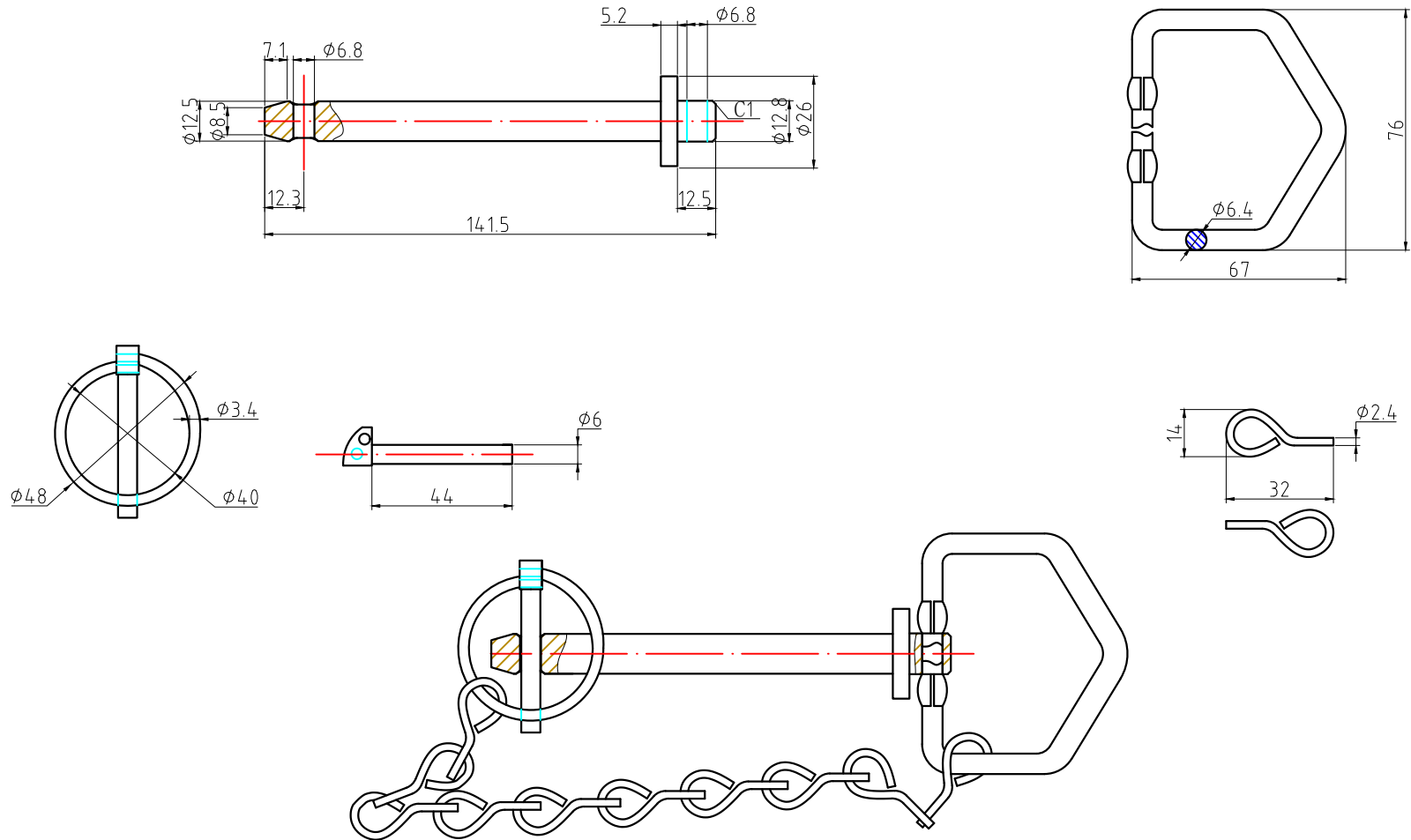


TECHNICAL DRAWING / DESSIN TECHNIQUE



JIMEXS
HARDWARE

1 866 447-5656 / INFO@JIMEXS.COM

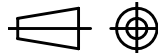
WWW.JIMEXS-HARDWARE.COM

418-131

Hitch pin
 Goupille d'attelage

2024-06-05

PROJECTIONS



DIMENSIONS

1/2" x 4-1/4"

MATERIAL / MATÉRIEL

Steel zinc plated / Acier plaqué zinc