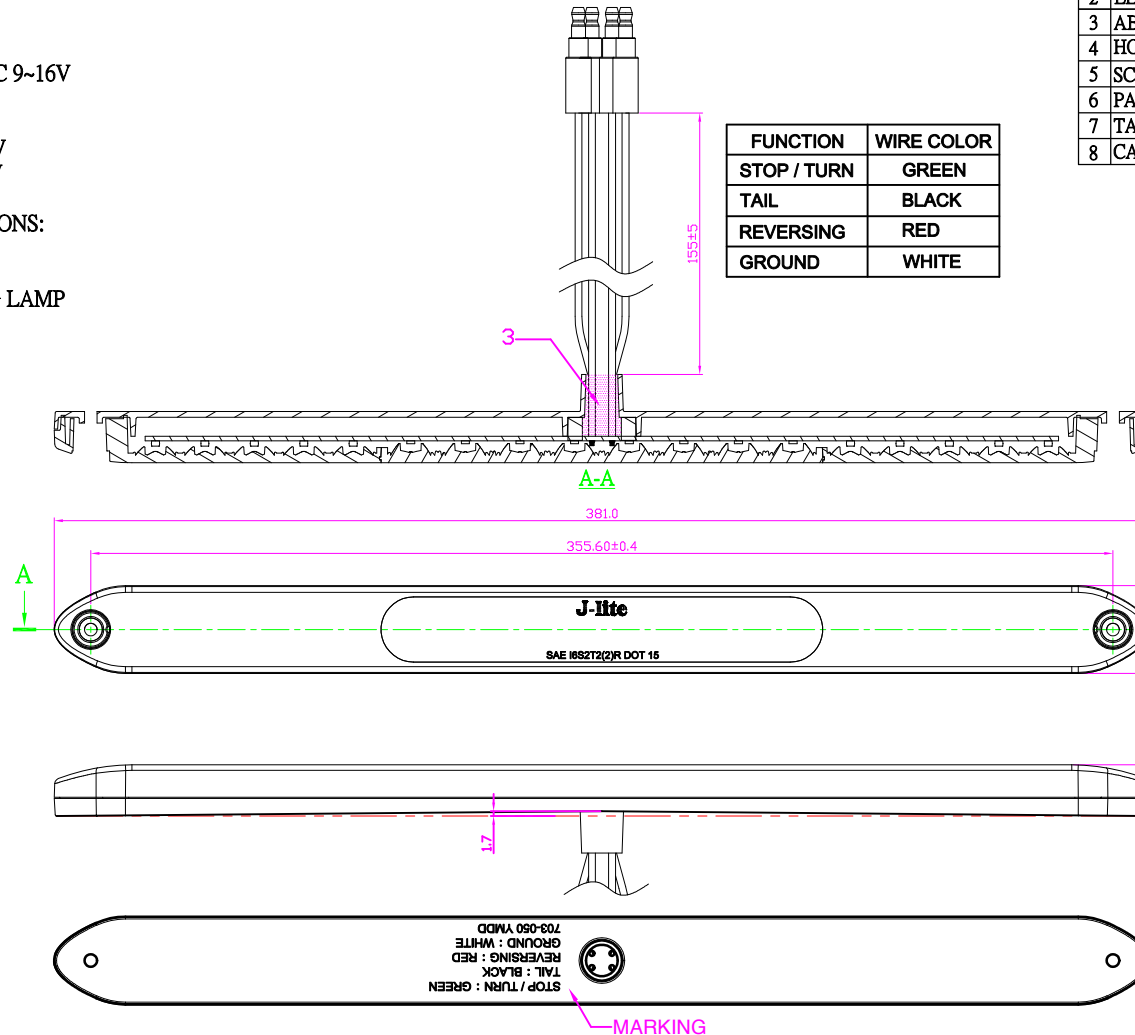


TECHNICAL DRAWING / DESSIN TECHNIQUE

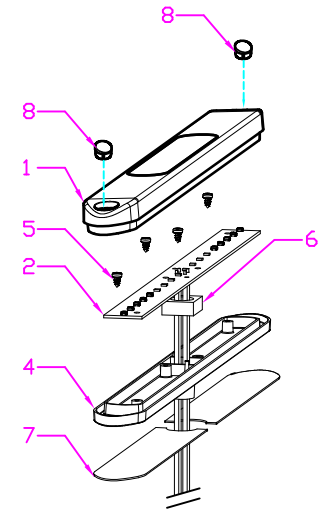
NOTE:

1. OPERATING VOLTAGE : DC 9~16V
2. DESING VOLTAGE : 14V
3. CURRENT DRAW
 STOP : 0.220~0.300A @14V
 TAIL : 0.012~0.030A @14V
 REV : 0.095~0.130A @14V
4. PHOTOMETRIC REGULATIONS:
 [S] SAE J1398 STOP
 [T] SAE J585E(3)T
 [R] SAE J593C REVERSING LAMP
5. RELIABILITY TEST ITEM :
 (a) IMPACT TEST
 (b) VIBRATION TEST
 (c) THERMAL CYCLE
 (d) IPX7
 (e) DURABILITY TEST
6. WIRE TO BE GPT 18AWG



FUNCTION	WIRE COLOR
STOP / TURN	GREEN
TAIL	BLACK
REVERSING	RED
GROUND	WHITE

No	DWG No	DESCRIPTION	QTY
1	LENS	PMMA / RED+CLEAR	1
2	LED PCB	RED*10PCS+WHITE*8PCS SMD LED	1
3	AB GLUE	EPOXY	
4	HOUSING	ABS / BLACK	1
5	SCREW	ø 3*6L / BLACK PLATED	4
6	PAD	SBR / BLACK T=8mm	1
7	TAPE	VHB(3M GPL-110GF) GREY	2
8	CAP	PC / RED	2



JIMEXS

HARDWARE

1 866 447-5656 / INFO@JIMEXS.COM

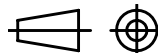
WWW.JIMEXS-HARDWARE.COM

703-050

Feux d'Arrêt-Virage-Position-Recul Combi à DEL
 Combi Stop-Tail-Turn-Backup LED light

2024-01-02

PROJECTIONS



DIMENSIONS
 SPECS

15"

10 diodes rouge, 8 diodes blanches /
 10 red diodes, 8 white diodes