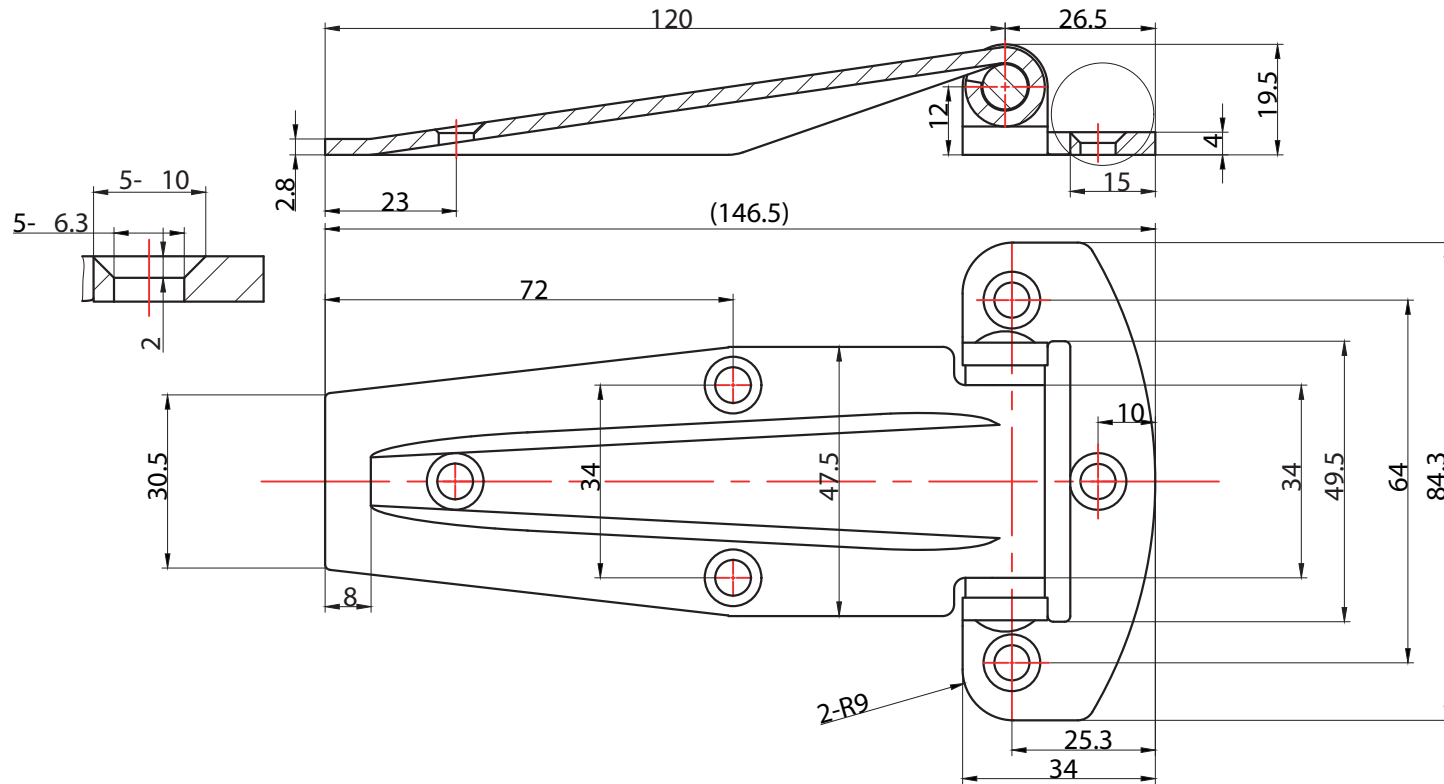


TECHNICAL DRAWING / DESSIN TECHNIQUE



JIMEXS
HARDWARE

1 866 447-5656 / INFO@JIMEXS.COM

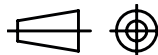
WWW.JIMEXS-HARDWARE.COM

202-120

Universal hinge
 Penture universelle

2024-05-16

PROJECTIONS



MATERIAL/MATÉRIEL Stainless steel / Acier Inoxydable