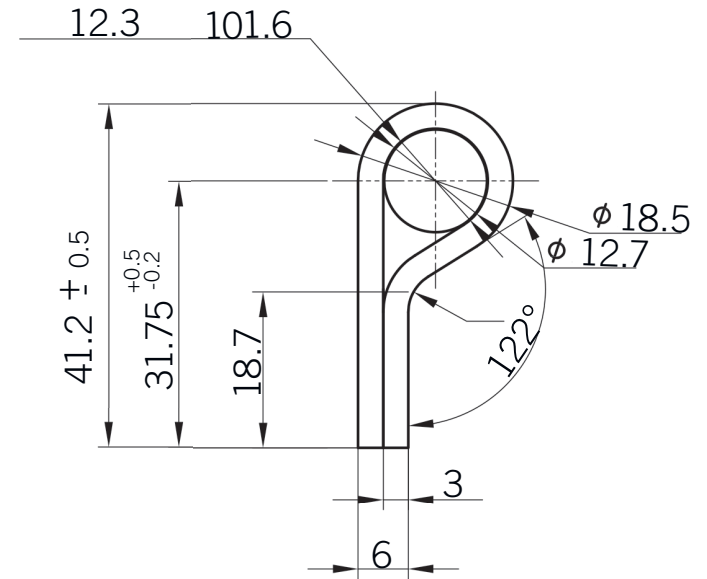
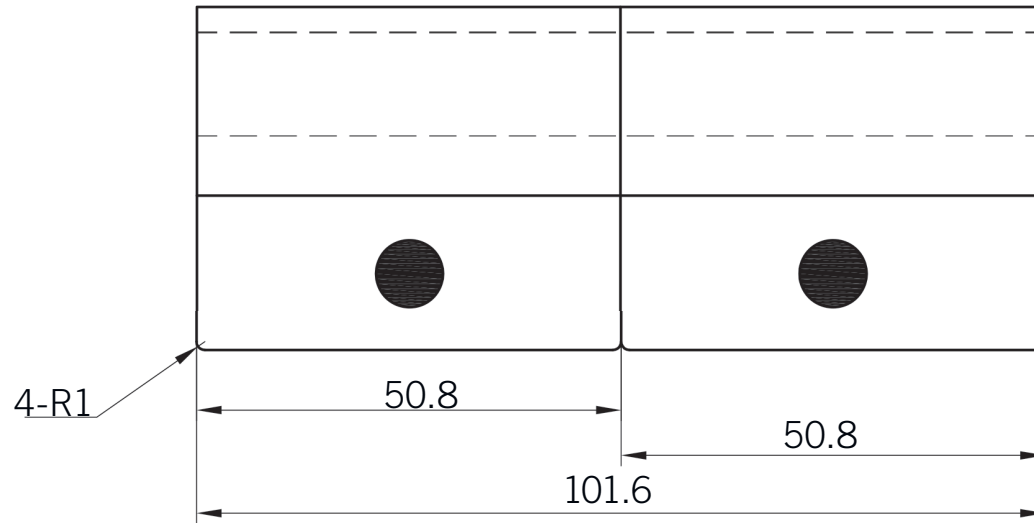


TECHNICAL DRAWING / DESSIN TECHNIQUE



JIMEXS
HARDWARE

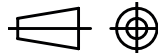
1 866 447-5656 / INFO@JIMEXS.COM
 WWW.JIMEXS-HARDWARE.COM

203-271

Hinge
 Penture

26-04-2019

PROJECTIONS



DIMENSIONS 0,50" x 4,50"
MATERIAL / MATÉRIEL Plein Steel / Acier nu