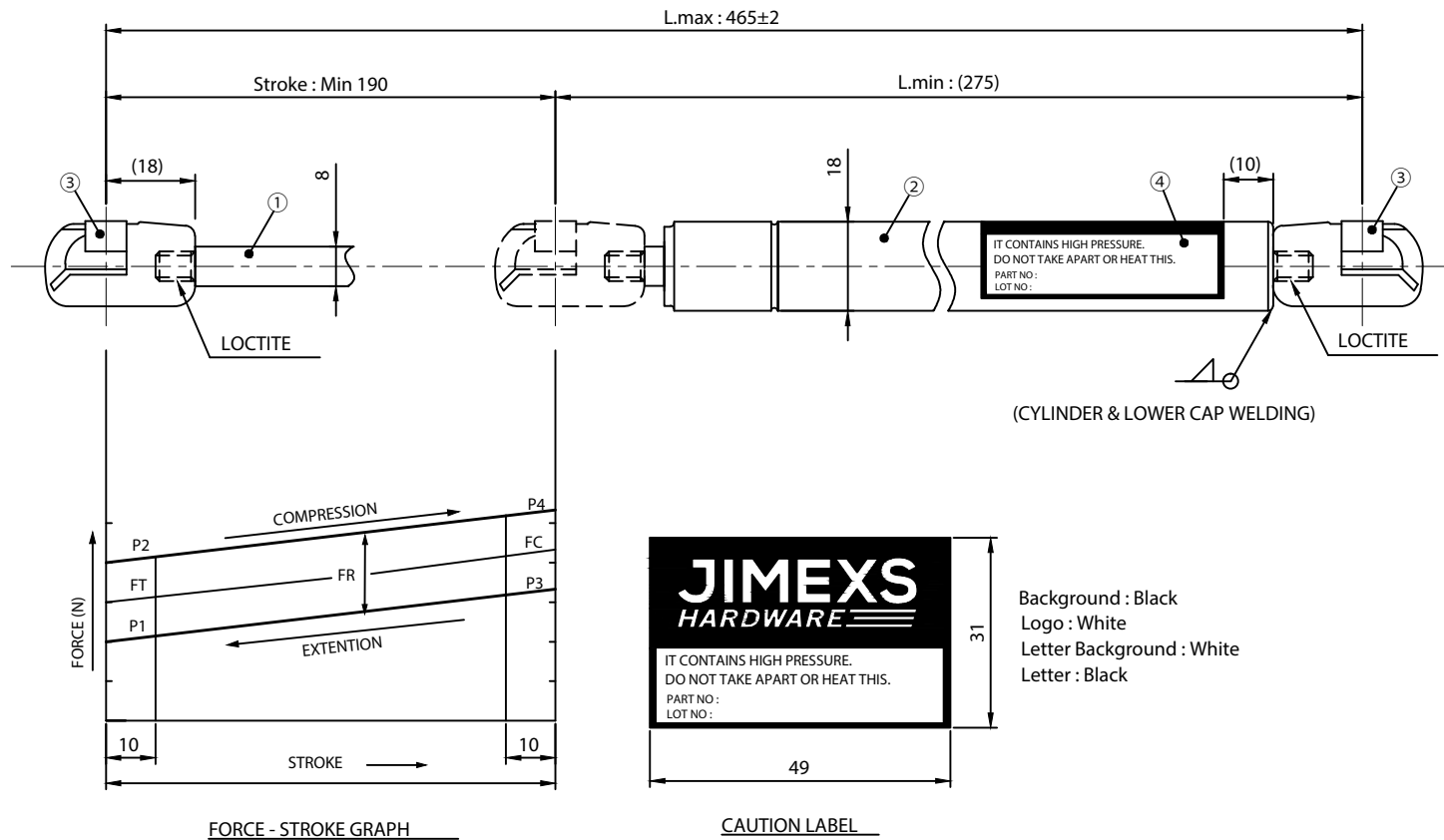


TECHNICAL DRAWING / DESSIN TECHNIQUE



JIMEXS
HARDWARE

1 866 447-5656 / INFO@JIMEXS.COM

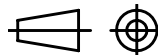
WWW.JIMEXS-HARDWARE.COM

289-030

Gas Spring
 Cylindre à gaz

2024-05-13

PROJECTIONS



DIMENSIONS
 SPECS

18.25" open / ouvert - 10.5" closed / fermé
 Rod thread : 1/4 28 / Filet de tige : 1/4 28