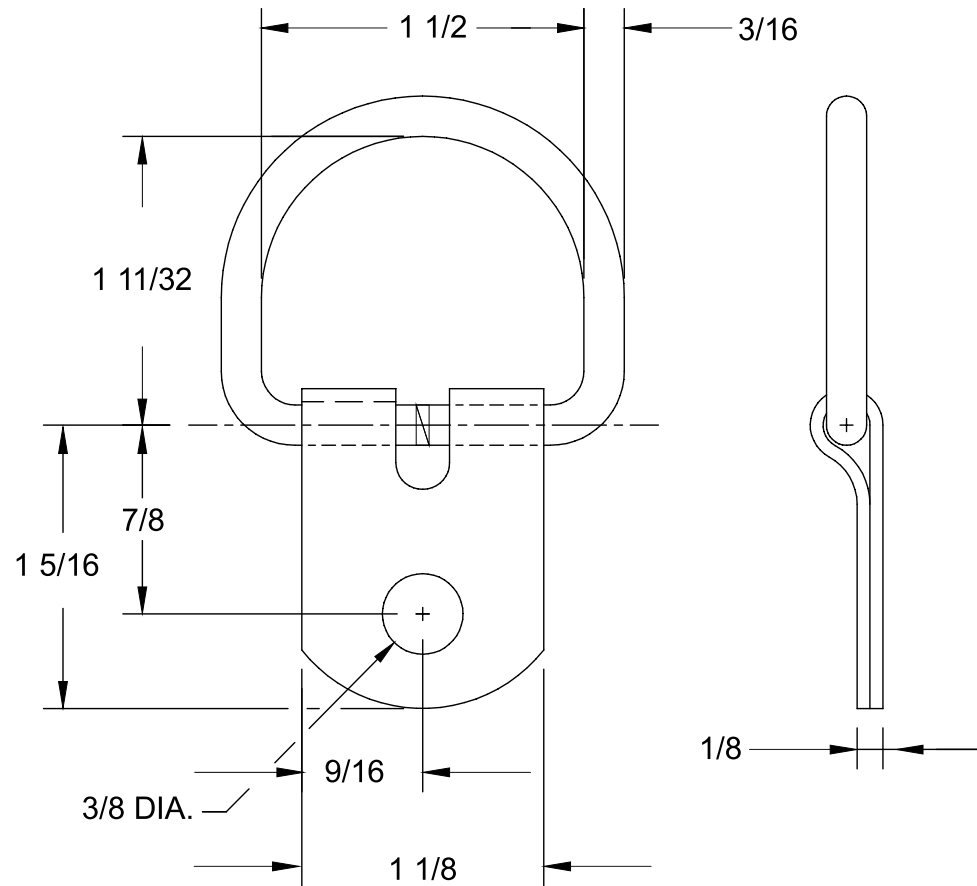


TECHNICAL DRAWING / DESSIN TECHNIQUE



JIMEXS
HARDWARE

1 866 447-5656 / INFO@JIMEXS.COM

WWW.JIMEXS-HARDWARE.COM

410-021

Anneau à câbler, Montage de surface
 D-Ring Tie-down, Surface mounting

2022-01-26

PROJECTIONS



DIMENSIONS

2-5/8" x 1-3/4", holes / trous 3/8"

MATERIAL / MATÉRIEL

Acier inoxydable / Stainless Steel

SPECS

WLL : 400 lb, BS : 1200 lb