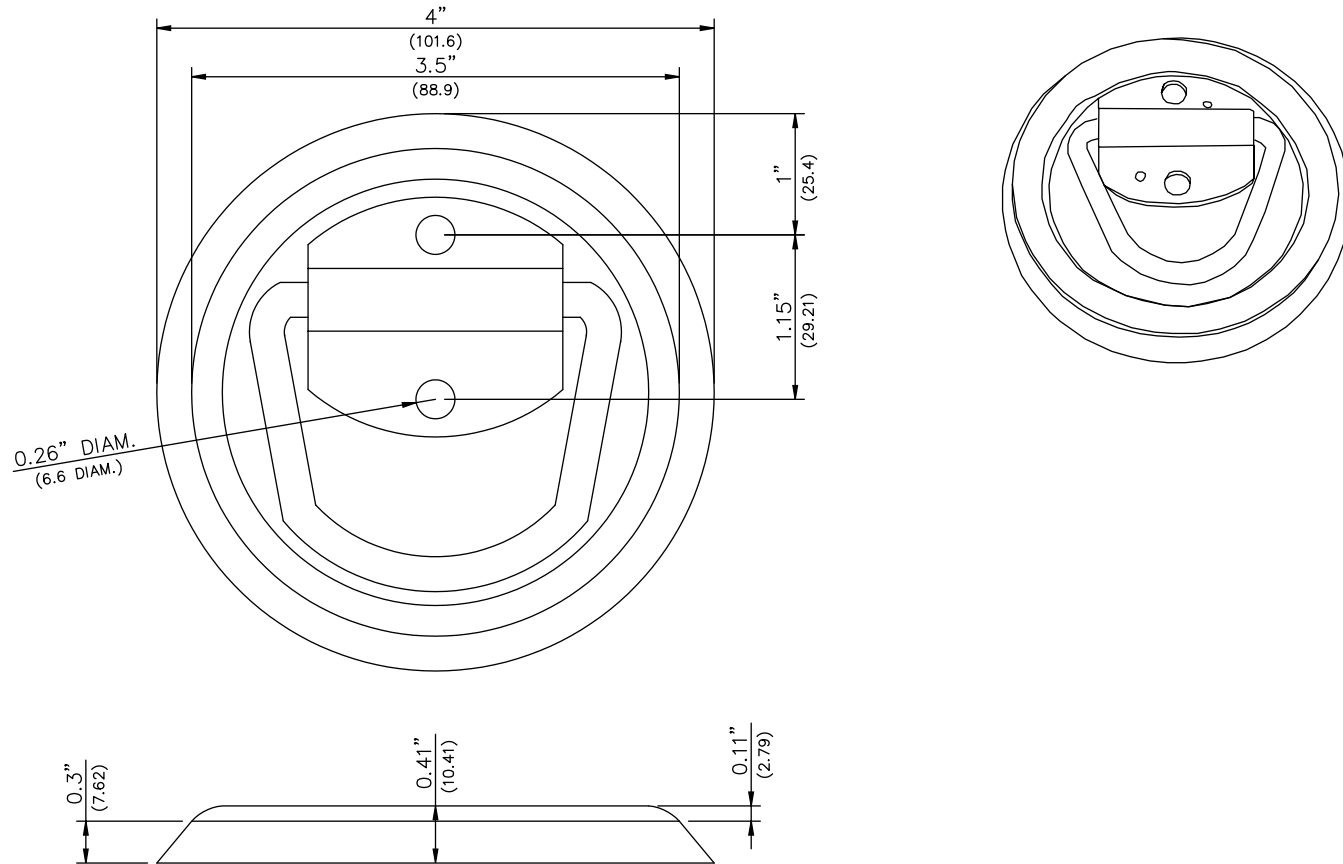


TECHNICAL DRAWING / DESSIN TECHNIQUE



JIMEXS
HARDWARE

1 866 447-5656 / INFO@JIMEXS.COM

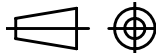
WWW.JIMEXS-HARDWARE.COM

410-091

Anneau à câbler, Montage de surface
 D-Ring Tie-down, Surface mounting

2022-01-27

PROJECTIONS



DIMENSIONS

4", holes / trous 1/4"

MATERIAL / MATÉRIEL

Acier plaqué zinc, base en plastique
 / Steel zinc plated, plastic base

SPECS

WLL : 400 lb, BS : 1200 lb