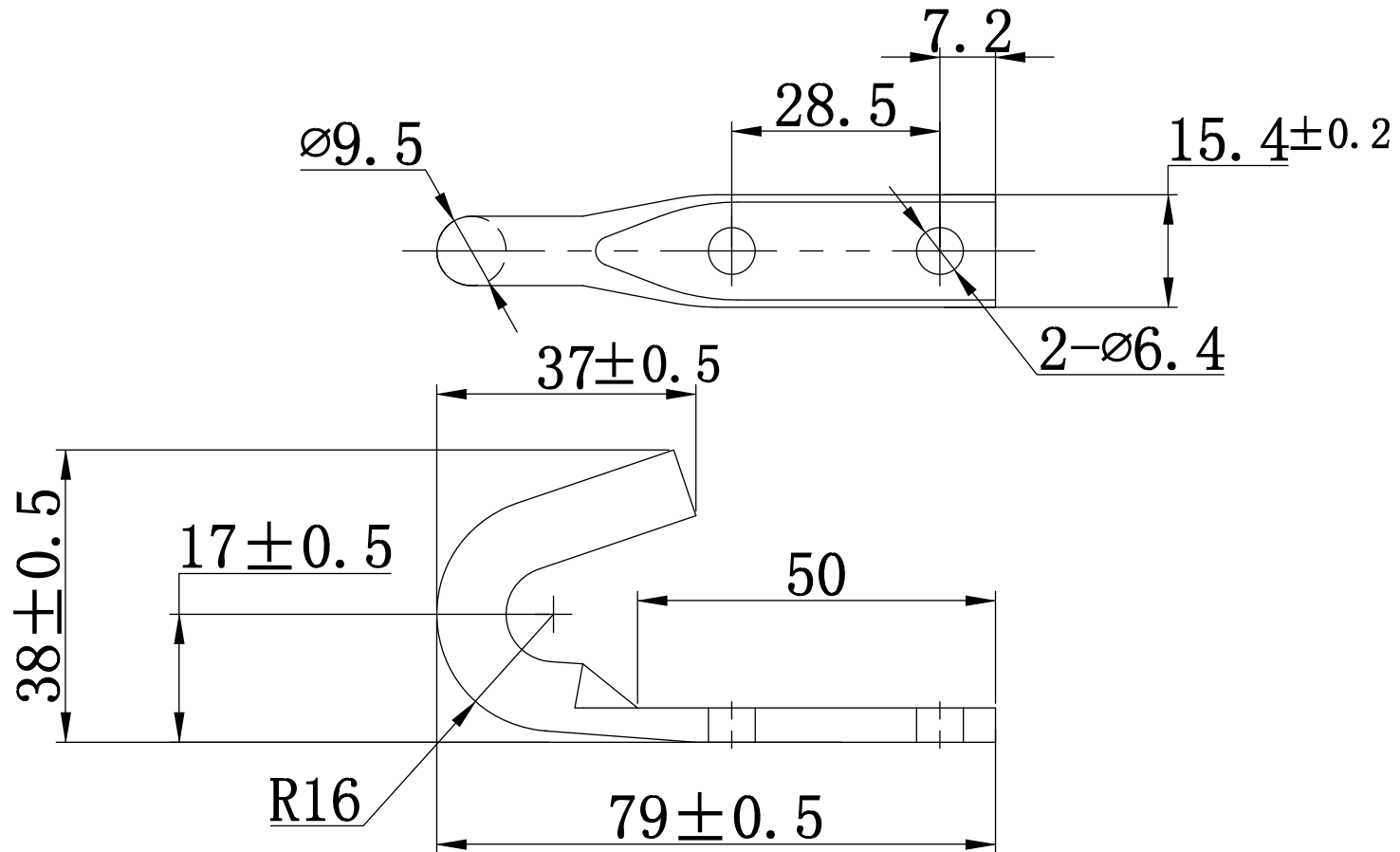


TECHNICAL DRAWING / DESSIN TECHNIQUE



JIMEXS
HARDWARE

1 866 447-5656 / INFO@JIMEXS.COM

WWW.JIMEXS-HARDWARE.COM

410-306

Crochet, montage de surface
Hook, surface mounting

2022-01-27

PROJECTIONS



DIMENSIONS 3" x 0.63", trous/holes 0.25"
MATERIAL / MATÉRIEL Acier plaqué zinc / Steel zinc plated