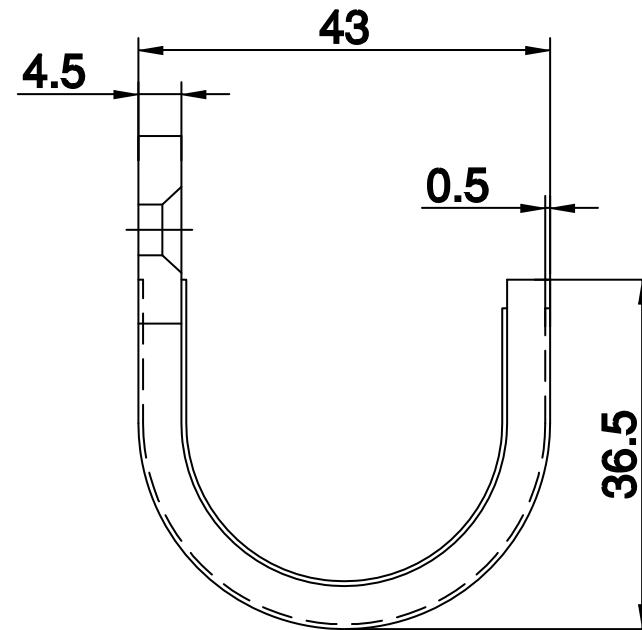
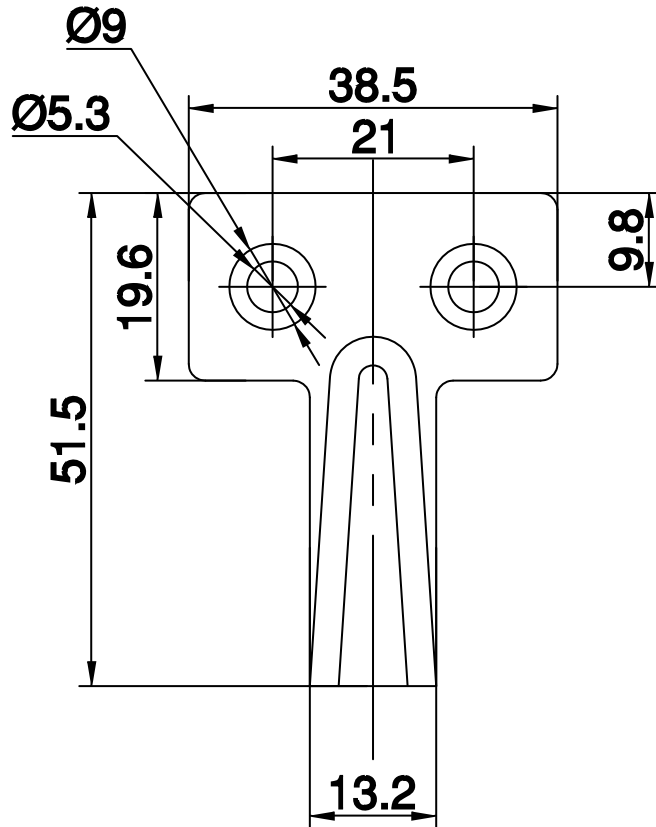


TECHNICAL DRAWING / DESSIN TECHNIQUE



JIMEXS
HARDWARE

1 866 447-5656 / INFO@JIMEXS.COM

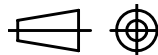
WWW.JIMEXS-HARDWARE.COM

410-321

Crochet avec trous, montage de surface
Hook with holes, surface mounting

2022-01-27

PROJECTIONS



DIMENSIONS 2.3" x 1.50", trous/holes 0.20"
MATERIAL / MATÉRIEL Acier plaqué zinc / Steel zinc plated