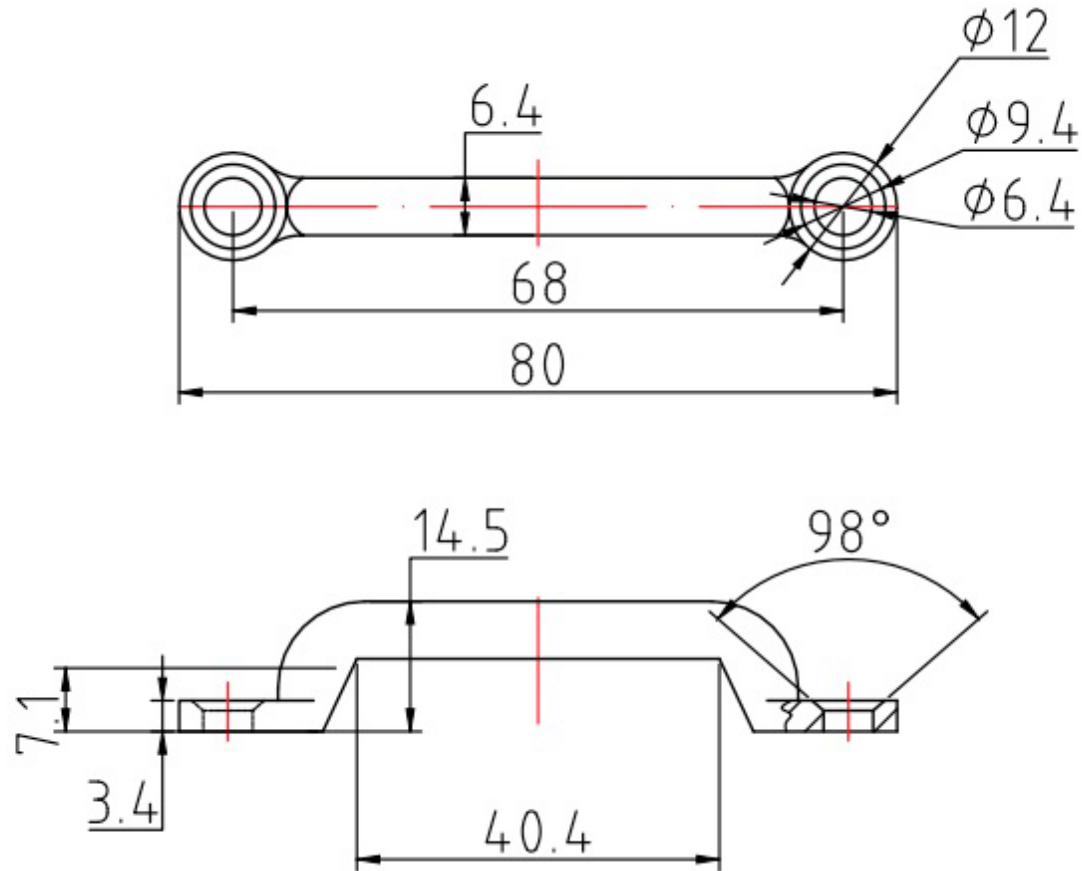


TECHNICAL DRAWING / DESSIN TECHNIQUE



JIMEXS
HARDWARE

1 866 447-5656 / INFO@JIMEXS.COM

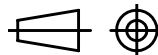
WWW.JIMEXS-HARDWARE.COM

410-405

Footman loop
Crampon

2024-04-22

PROJECTIONS



DIMENSIONS 3.17" (2,63" CC), 0,25" holes / trous

MATERIAL / MATÉRIEL Zinc plated steel / Acier plaqué zinc