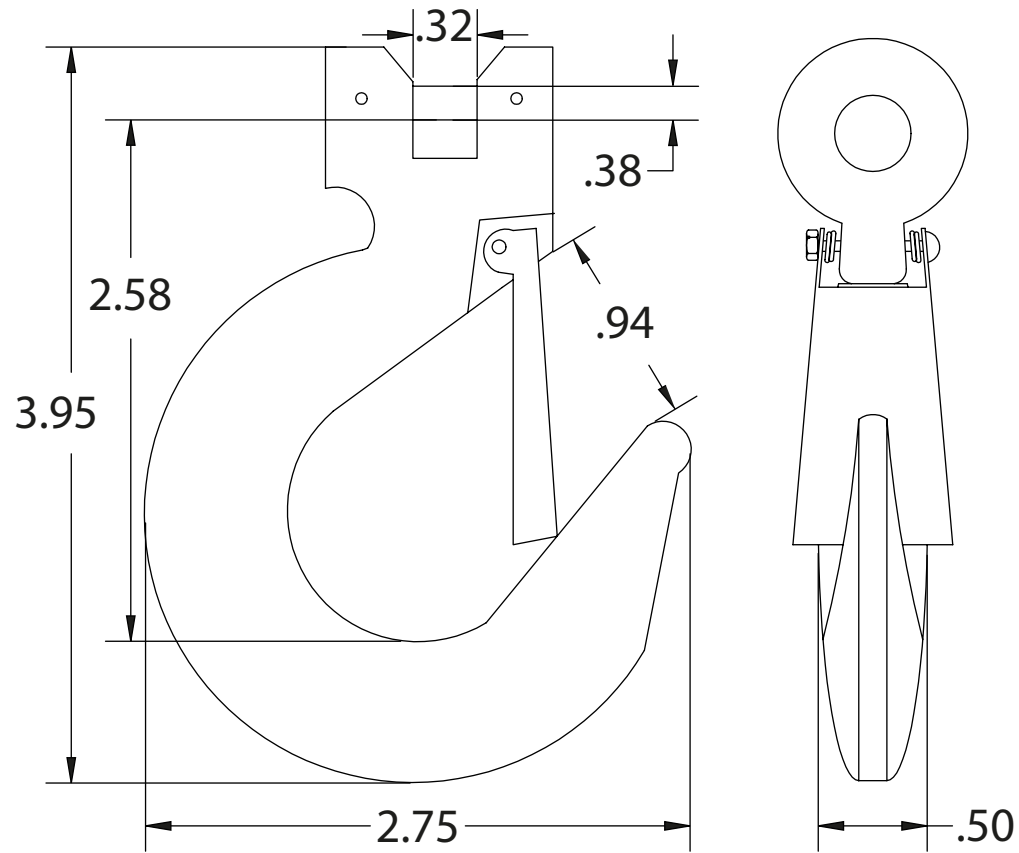


# TECHNICAL DRAWING / DESSIN TECHNIQUE



**JIMEXS**  
**HARDWARE**

1 866 447-5656 / INFO@JIMEXS.COM

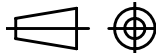
WWW.JIMEXS-HARDWARE.COM

413-221

Crochet coulissant à manille  
 avec loquet G70  
 Clevis slip hook with latch G70

2022-01-28

PROJECTIONS



DIMENSIONS

1/4"

MATERIAL / MATÉRIEL

Acier forgé plaqué zinc or /  
 Gold zinc plated forged steel

SPECS

WLL: 2750 lb, BS: 8250 lb