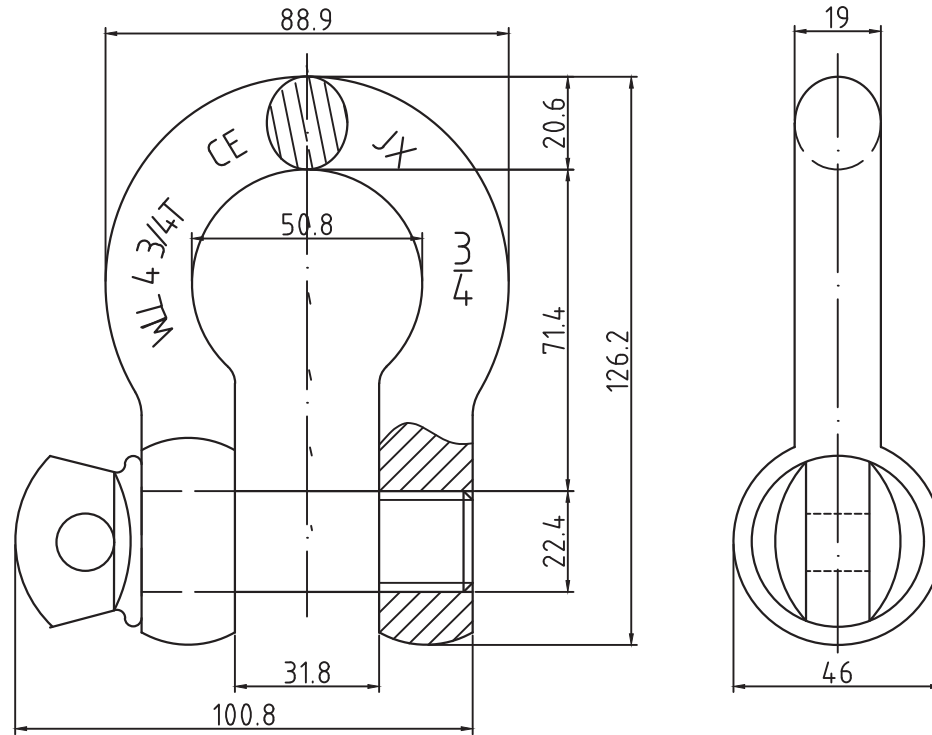


TECHNICAL DRAWING / DESSIN TECHNIQUE



JIMEXS
HARDWARE

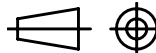
1 866 447-5656 / INFO@JIMEXS.CO M
 WWW.JIMEXS-HARDWARE.COM

414-535

Manille d'ancrage à goupille
 Screw pin anchor shackle

2021-10-14

PROJECTIONS



DIMENSIONS

3/4"

MATERIAL/MATÉRIEL

Galvanized steel /
 Acier galvanisé