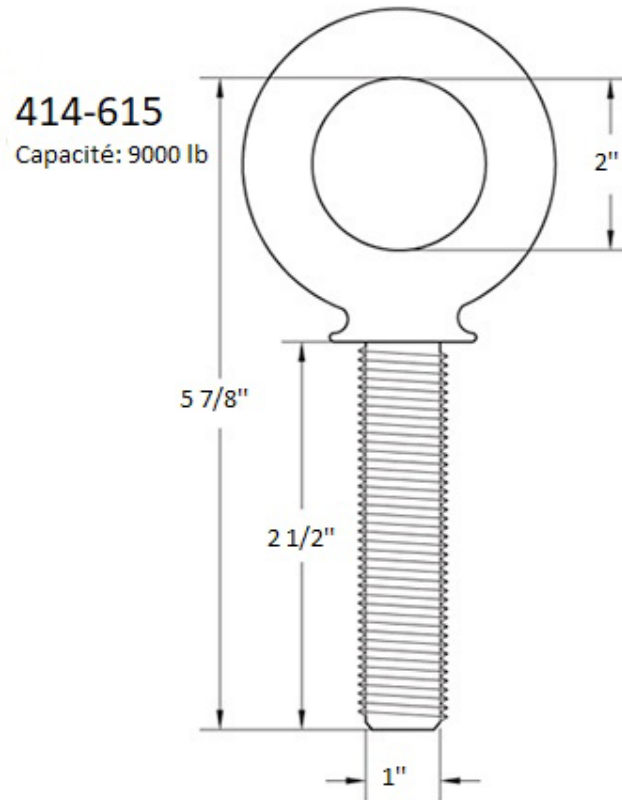


# TECHNICAL DRAWING / DESSIN TECHNIQUE



**JIMEXS**  
**HARDWARE**

1 866 447-5656 / INFO@JIMEXS.COM

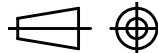
WWW.JIMEXS-HARDWARE.COM

414-615

Boulons à oeil - Type machinerie  
Shoulder type machinery eye bolt

2022-02-08

PROJECTIONS



DIMENSIONS

1" x 2-1/2" - Eye 2"

MATERIAL / MATÉRIEL

Acier forgé - plaqué zinc /

Drop forged steel - zinc plated

SPECS

ABS : 9000 lbs