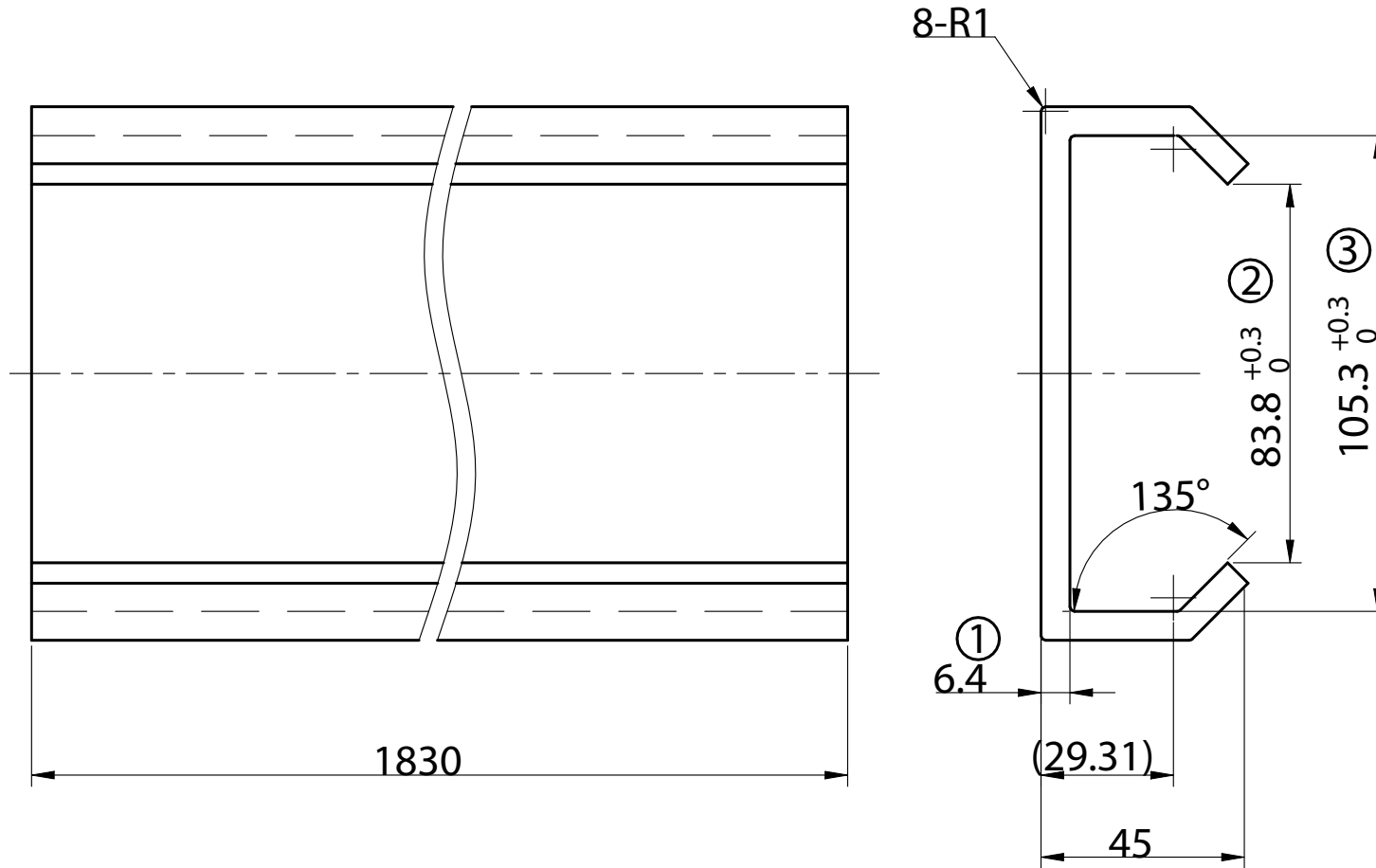


TECHNICAL DRAWING / DESSIN TECHNIQUE



JIMEXS
HARDWARE

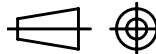
1 866 447-5656 / INFO@JIMEXS.COM
WWW.JIMEXSHARDWARE.COM

456-151

Winch track
Rail pour treuil

2024-03-27

PROJECTIONS



DIMENSIONS
MATERIAL / MATÉRIEL

6'
Aluminium