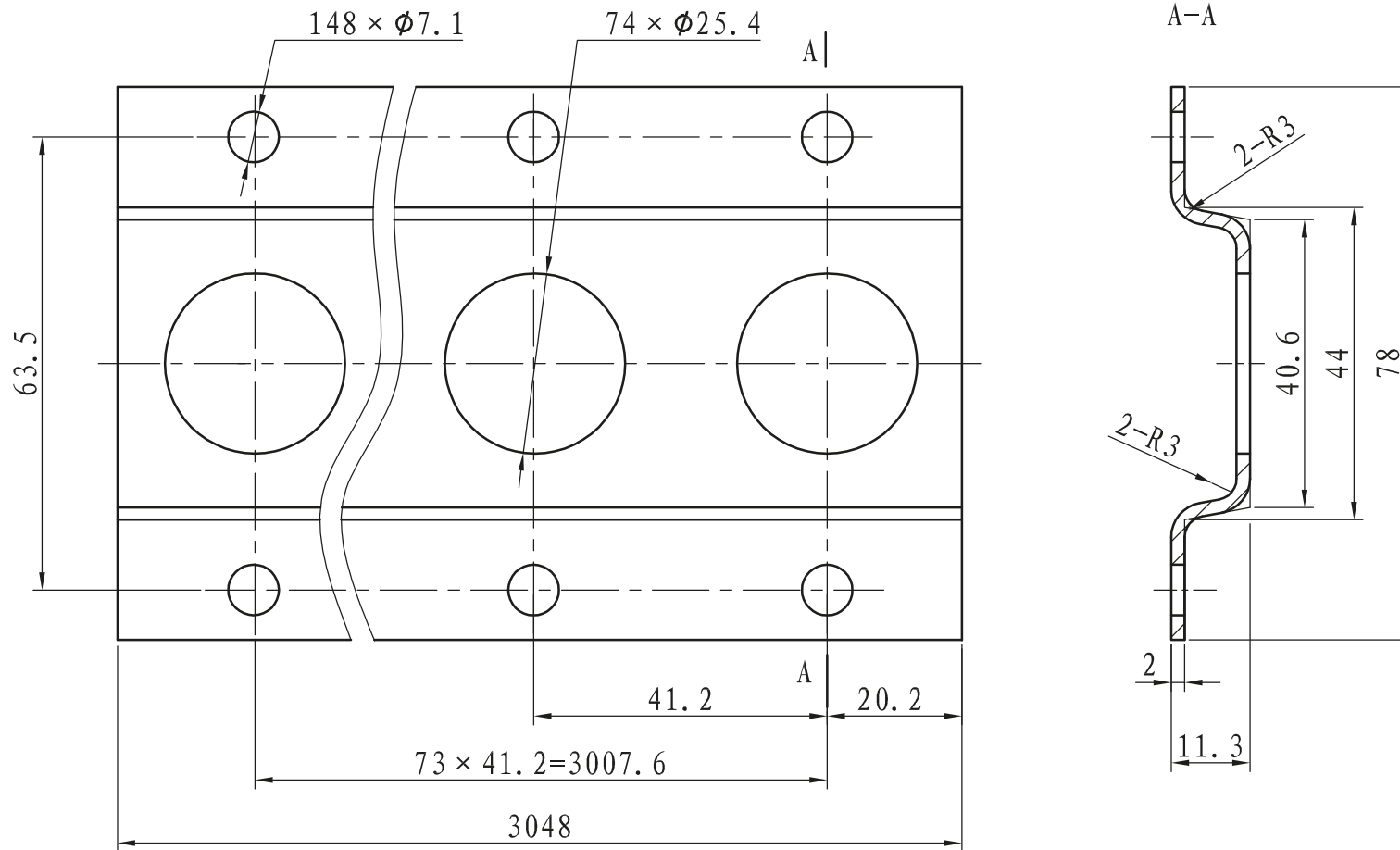


TECHNICAL DRAWING / DESSIN TECHNIQUE



JIMEXS
HARDWARE

1 866 447-5656 / INFO@JIMEXS.COM

WWW.JIMEXS-HARDWARE.COM

460-206

Rail horizontale Série F Calibre 15
 Horizontal Track F-Serie 15 Gauge

2022-02-08

PROJECTIONS



DIMENSIONS

10', trous / holes 1"

MATERIAL / MATÉRIEL Acier galvanisée / Galvanized steel