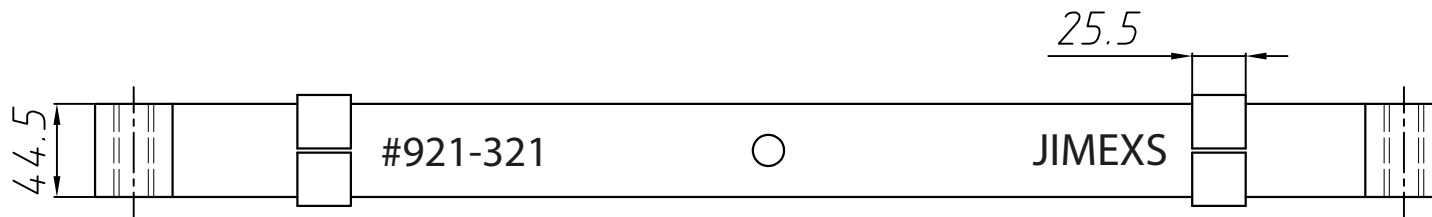
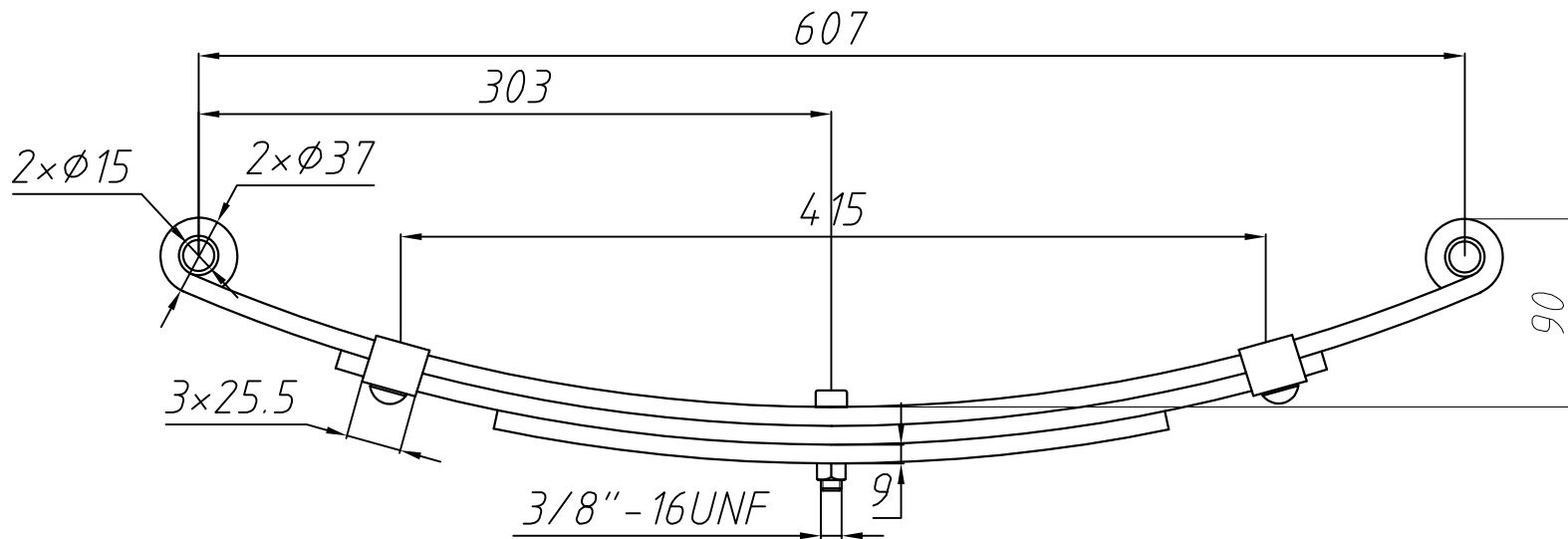


# TECHNICAL DRAWING / DESSIN TECHNIQUE



**JIMEXS**  
**HARDWARE**

1 866 447-5656 / INFO@JIMEXS.COM

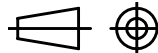
WWW.JIMEXS-HARDWARE.COM

921-321

Double eye spring  
 Ressort à 2 oeils

2022-05-03

PROJECTIONS



DIMENSIONS  
 SPECS

23-1/2" x 1-3/4"  
 3 leaves / 3 lames - 3500 lbs