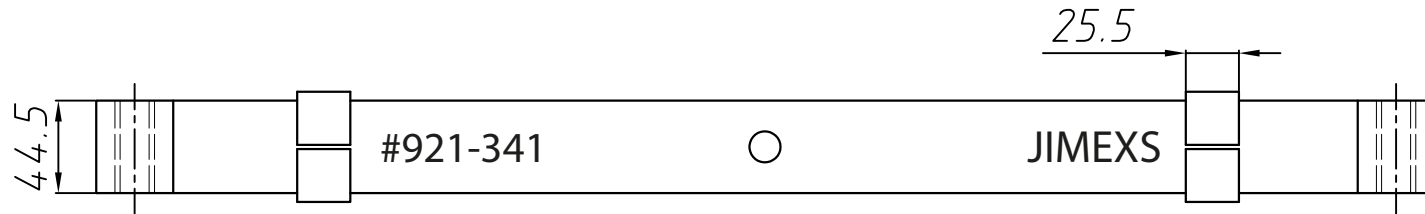
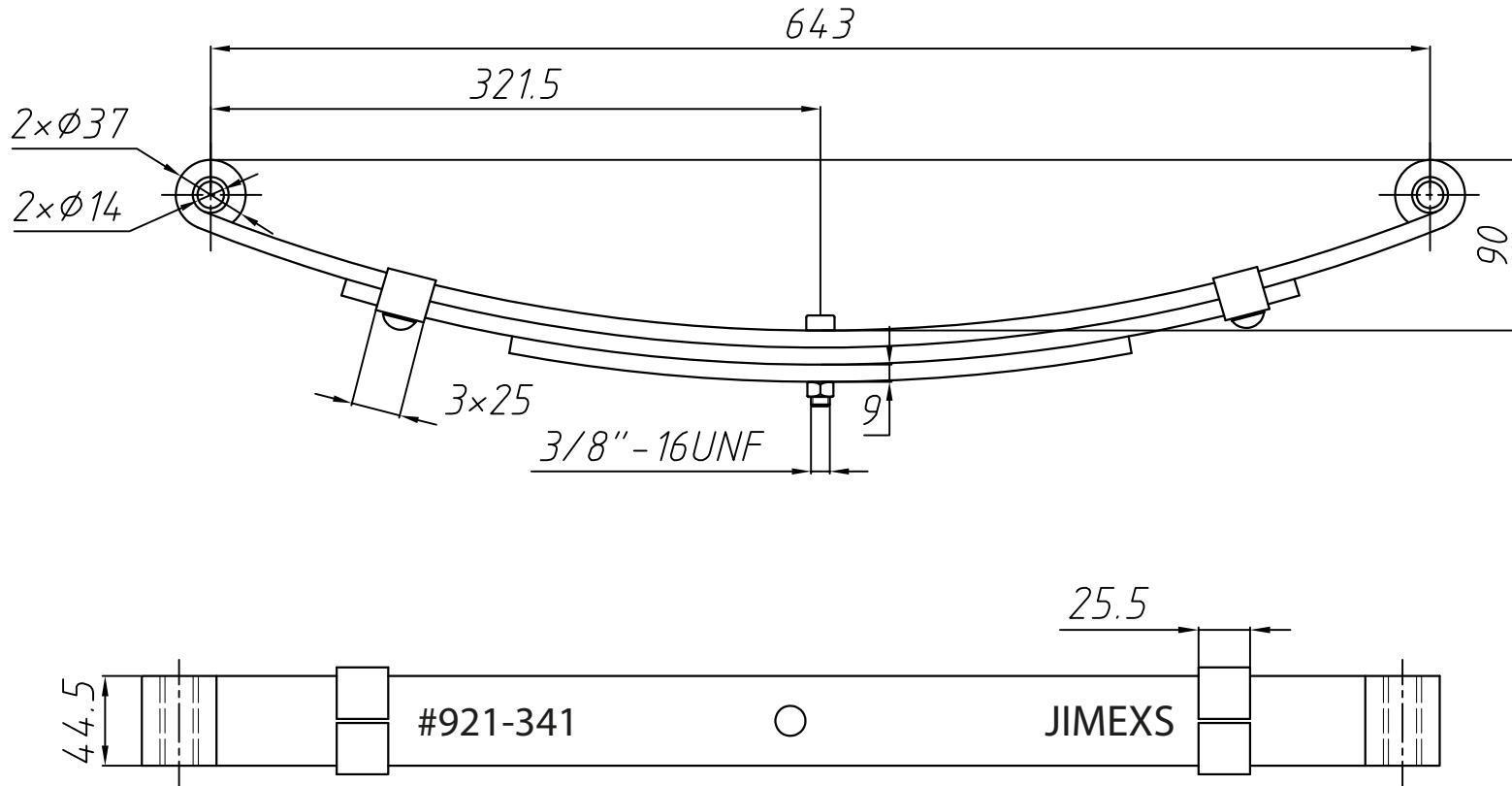


TECHNICAL DRAWING / DESSIN TECHNIQUE



JIMEXS
HARDWARE

1 866 447-5656 / INFO@JIMEXS.COM

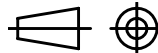
WWW.JIMEXS-HARDWARE.COM

921-341

Double eye spring
 Ressort à 2 oeils

2022-05-03

PROJECTIONS



DIMENSIONS
 SPECS

25-1/4" x 1-3/4"
 3 leaves / 3 lames - 3500 lbs