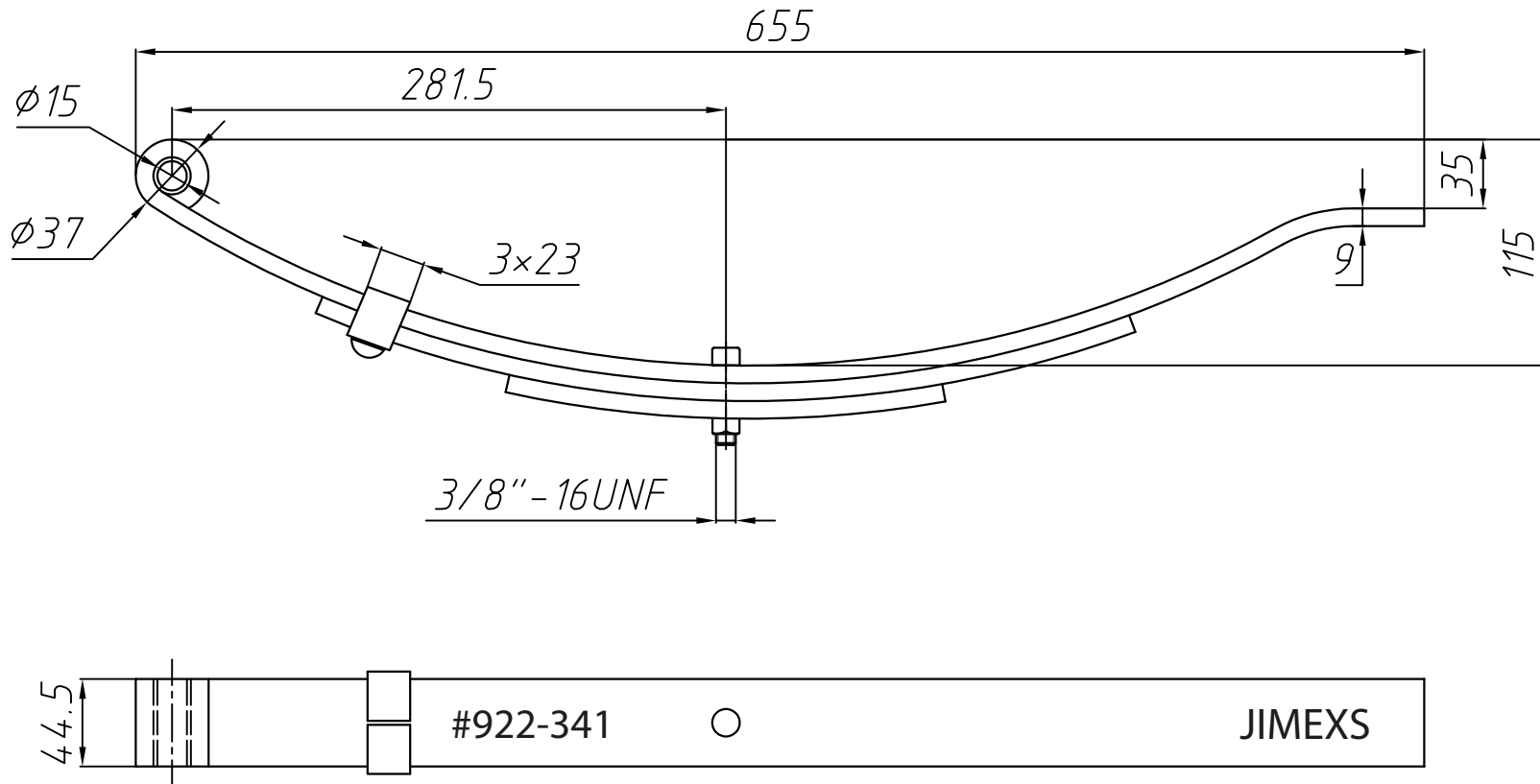


TECHNICAL DRAWING / DESSIN TECHNIQUE



JIMEXS
HARDWARE

1 866 447-5656 / INFO@JIMEXS.COM

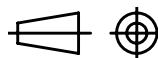
WWW.JIMEXS-HARDWARE.COM

922-341

Slipper spring with radius end
 Ressort type "Slipper" avec
 embout courbé

2022-05-03

PROJECTIONS



DIMENSIONS
 SPECS

25" x 1-3/4"
 3 leaves / 3 lames - 2000 lbs